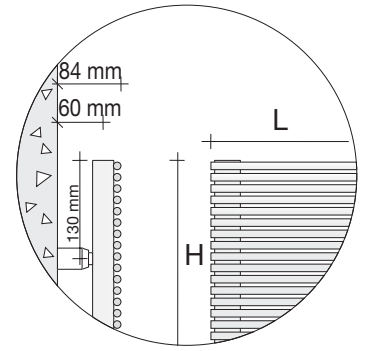


ORDER EXAMPLE

To correctly order this model follow the example specified below:

PRODUCT	BA10#120050 0B1 ST 9010
BA10#120050	Article code found in the prices table on the side
0B1	Connector code found in the table here below
ST	Standard Support code found in the table here below
9010	Colour code found in the TUBES COLOUR CHART
ACCESSORIES	
Z1TLNR#AN R12 9010	Valve and Lockshield - Copper angle 1/2" for copper pipes or multi-layer pipes - White RAL 9010
Z1RAC#R12CRO	12mm diam. copper pipe unions for Valve+Lockshield – chrome finish (2)

For other types of Valves see the table below or those on pages 217 - 218 - 219 - 220.

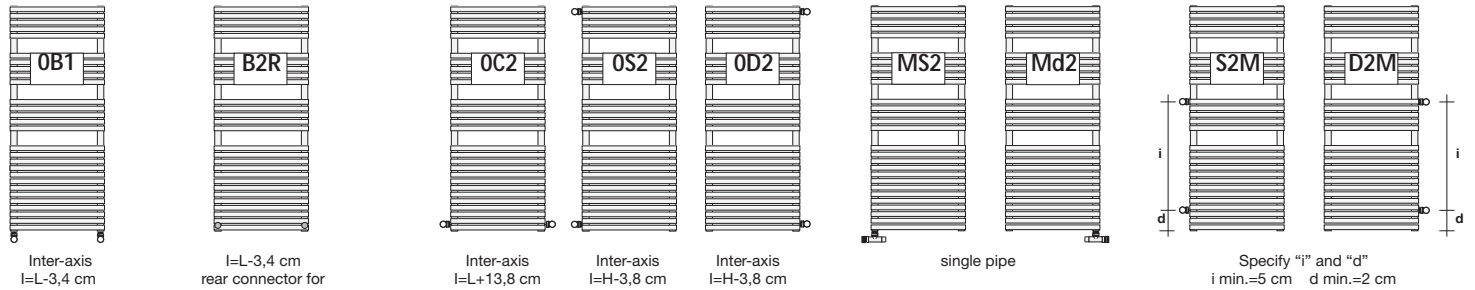


CONNECTORS

The towel warmers are supplied with "0B1" connectors.

If different connectors are required, strictly indicate this in the order. **IMPORTANT:** the connectors of towel warmers and radiators connected to the same system should all have the same configuration otherwise operating problems could occur.

Standard connectors Will be supplied if not otherwise specified when placing the order	Rear connector Supplied on request WITH an additional price charge of €	Custom-made connectors Supplied on request WITH an additional price charge of € (NOT available in chrome-plated version)	Connectors on request Supplied on request WITHOUT an additional price charge	Custom-made connectors Supplied on request WITH an additional price charge of € (NOT available in chrome-plated version)
--	---	--	--	--



SUPPORTS

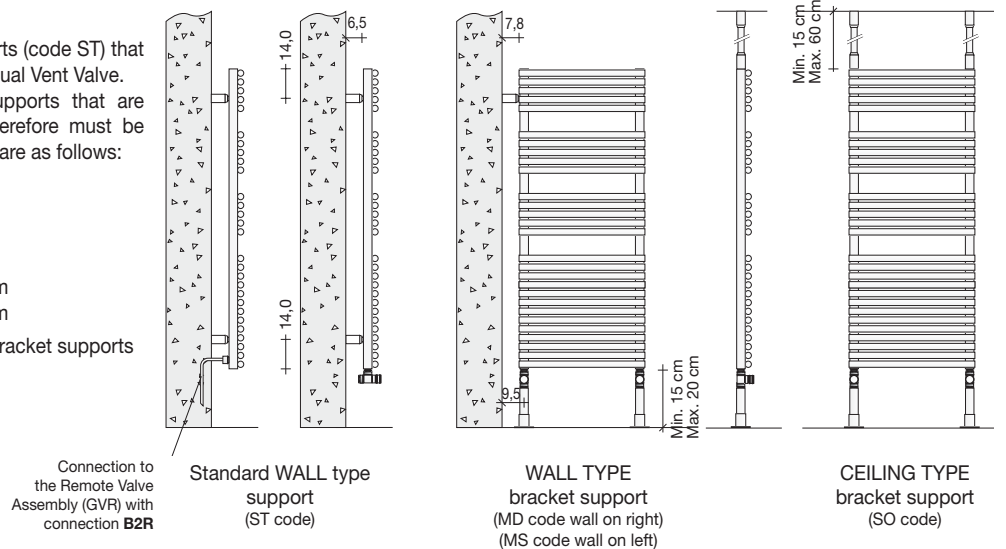
The towel warmers are supplied with standard supports (code ST) that include wall fixing shelves, pressure anchors and manual Vent Valve. On request they can be ordered with bracket supports that are permanently welded on the towel warmers and therefore must be specified when placing the order, their code and cost are as follows:

code MD	WALL TYPE bracket support on the Right	€
code MS	WALL TYPE bracket support on the Left	€
code SO	CEILING TYPE bracket support	€

LIMITS

WALL TYPE bracket support	Width max 60.0 cm
CEILING TYPE bracket support	Width max 80.0 cm

The Chrome plated version cannot be supplied with bracket supports

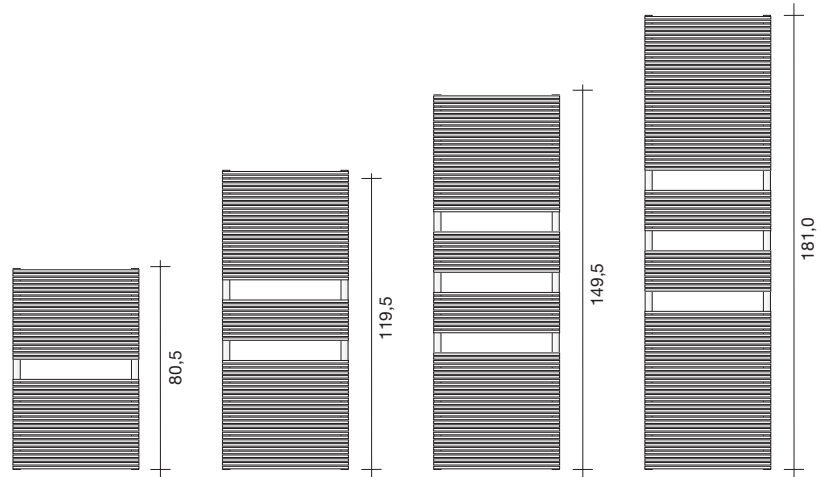


ADDITIONAL CHARGES FOR COLOURS AND FINISHES (see the official Tubes Colour Chart)

RAL colours not included in the colour chart + 30% more than Pure white price (cat. C0), for colours according to samples request feasibility and estimate. PLATED finishes: Nickel Satin finish (NIS code) NOT available, 14kt GOLD finish (cat. G5)+50% and 24kt GOLD (cat. G6)+60% more than Chrome (Cat.G0).

Standard VALVES (for Valves and Lockshields, valves that can be fitted with thermostat, Thermostatic valves, or Single pipe, Twin pipe, Stainless steel and thermostatic heads see pages 217 - 218 - 219 - 220)

code	Description	Price	code	Description	Price
Z1TLNR#ANR129010	Valve and Lockshield - ValCOLOR Copper Angle 1/2" RAL 9010 Glossy Pure White	€	GVR#	Valve and Lockshield assembly for recessed remote connection, CHROME finish	€
Z1RAC#R12CRO	2 copper unions diam. 12 mm for ValCOLOR Chrome finish Valve+Lockshield	€	GVR#	Valve and Lockshield assembly for recessed remote connection, COLOUR finish	€
ZRCF#	Kit with pipe collars for towel warmers	€			



Code	H (cm)	L (cm)	Inter-axis (cm)	Water Content (l)	Coloured version		Chrome plated version		Chrome plated G0 * (€)	Category C0 RAL 9010 (€)	Category C1/C2 (€)	Category C3 (€)
					Watts ΔT 50°C	Watts ΔT 30°C	Watts ΔT 50°C	Watts ΔT 30°C				
BA10#080040	80,5	40,0	36,6	1,51	392	205	288	150				
BA10#080050		50,0	46,6	1,88	506	267	371	195				
BA10#080060		60,0	56,6	2,26	623	332	475	250				
BA10#120040	119,5	40,0	36,6	2,17	588	312	430	223				
BA10#120050		50,0	46,6	2,71	755	406	533	278				
BA10#120060		60,0	56,6	3,25	925	504	636	334				
BA10#150040	149,5	40,0	36,6	2,64	731	382	535	274				
BA10#150050		50,0	46,6	3,30	902	476	661	341				
BA10#150060		60,0	56,6	3,96	1076	573	777	405				
BA10#180040	181,0	40,0	36,6	3,30	881	466	664	343				
BA10#180050		50,0	46,6	4,12	1097	586	804	417				
BA10#180060		60,0	56,6	4,95	1318	712	970	503				

In the CHROME (plated) version the code BA10 becomes BA10G
For correction factors different to ΔT 50°C see page 230

* Additional charge for the new galvanic finishings Black Nichel and Tin Glossy +10% on the Chrome version. The same additional charge is valid for the valves too.

ORDER EXAMPLE

To correctly order this model follow the example specified below:

PRODUCT

BA10 i5#120050
0i5
ST
9010

BA10i5#120050 0i5 ST 9010

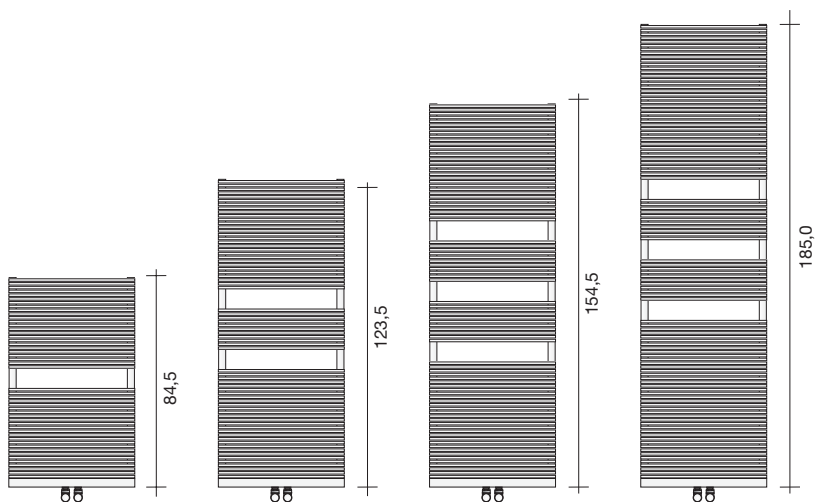
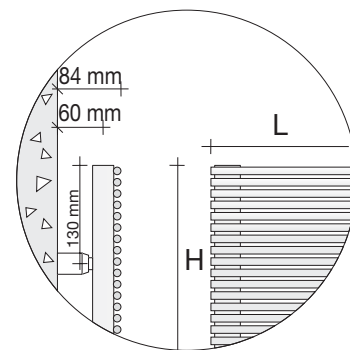
Article code found in the prices table here below
Connection code for 5 cm interaxis
Standard Support code found in the table here below
Colour code found in the TUBES COLOUR CHART

ACCESSORIES

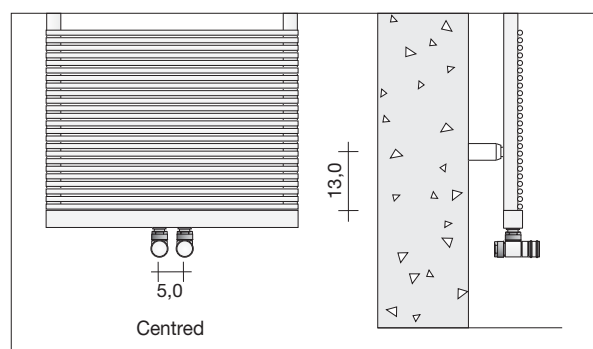
Z1TLNR#AN R12 9010
Z1RAC#R12CRO

Valve and Lockshield - Copper angle 1/2" for copper pipes or multi-layer pipes - White RAL 9010
12mm diam. copper pipe unions for Valve+Lockshield – chrome finish (2)

For other types of Valves see the table below or those on pages 217 - 218 - 219 - 220.



Technical diagram for BA10 i5 connection



ADDITIONAL CHARGES FOR COLOURS AND FINISHES (see the official Tubes Colour Chart)

RAL colours not included in the colour chart + 30% more than Pure white price (cat. C0), for colours according to samples request feasibility and estimate.
PLATED finishes: Nickel Satin finish (NIS code) NOT available, 14kt GOLD finish (cat. G5)+50% and 24kt GOLD (cat. G6)+60% more than Chrome (Cat.G0).

Standard VALVES (for Valves and Lockshields, valves that can be fitted with thermostat, Thermostatic valves, or Single pipe, Twin pipe, Stainless steel and thermostatic heads see pages 217 - 218 - 219 - 220)

	code	Description	Price		code	Description	Price 9010	Price Cromo
	Z1TLNR#ANR129010	Valve and Lockshield - ValCOLOR Copper Angle 1/2" RAL 9010 Glossy Pure White	€		Z1TL5NR#ANR12SX...	Valves with 5 cm interaxis 5 cm - Left	€	€
	Z1RAC#R12CRO	2 copper unions diam. 12 mm for ValCOLOR Chrome finish Valve+Lockshield	€		Z1TL5NR#ANR12DX...	Valves with 5 cm interaxis 5 cm - Right	€	€
	ZRCF#	Kit with pipe collars for towel warmers	€					

Code	H (cm)	L (cm)	Inter-axis (cm)	Water Content (l)	Coloured version		Chrome plated version		Chrome plated G0 * (€)	Category C0 RAL 9010 (€)	Category C1/C2 (€)	Category C3 (€)
					Watts ΔT 50°C	Watts ΔT 30°C	Watts ΔT 50°C	Watts ΔT 30°C				
BA10I5#080040	84,5	40,0	5	1,51	392	205	288	150				
BA10I5#080050	84,5	50,0	5	1,88	506	267	371	195				
BA10I5#080060	84,5	60,0	5	2,26	623	332	475	250				
BA10I5#120040	123,5	40,0	5	2,17	588	312	430	223				
BA10I5#120050	123,5	50,0	5	2,71	755	406	533	278				
BA10I5#120060	123,5	60,0	5	3,25	925	504	636	334				
BA10I5#150040	153,5	40,0	5	2,64	731	382	535	274				
BA10I5#150050	153,5	50,0	5	3,30	902	476	661	341				
BA10I5#150060	153,5	60,0	5	3,96	1076	573	777	405				
BA10I5#180040	185,0	40,0	5	3,30	881	466	664	343				
BA10I5#180050	185,0	50,0	5	4,12	1097	586	804	417				
BA10I5#180060	185,0	60,0	5	4,95	1318	712	970	503				

For correction factors different to ΔT 50°C see page 230

* Additional charge for the new galvanic finishings Black Nichel and Tin Glossy +10% on the Chrome version. The same additional charge is valid for the valves too.

colour for Ba10 E/M Electric and Mixed

Towel warmer composed of horizontal fusion welded elements in 10 mm diameter steel with 28 mm diam. manifolds



ORDER EXAMPLE

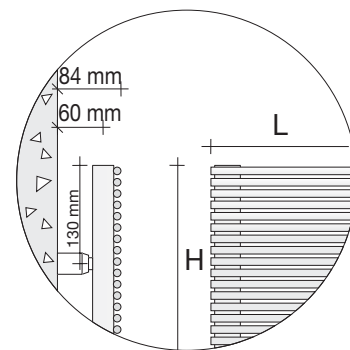
To correctly order this model follow the example specified below:

PRODUCT **BA10E#080050 A2 ST 9010**
 BA10E#080050 Article code found in the prices table on the side
 A2 (KA2 x mixed) Resistor code found in the table on the side
 ST Standard Support code, only one support code available for Electric and Mixed version
 9010 Colour code found in the TUBES COLOUR CHART

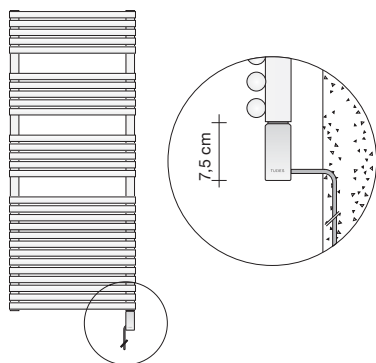
ACCESSORIES ELECTRIC/MIXED version (only for standard STD resistors)
 ZRF004 Kit with wireless room thermostat
 Or ZRF005 Portable, programmable digital wireless chronothermostat kit

ACCESSORIES for MIXED version
 Z1TLNR#AN R12 9010 Valve and Lockshield - Copper angle 1/2" for copper pipes or multi-layer pipes - White RAL 9010
 Z1RAC#R12CRO 12mm diam. copper pipe unions for Valve+Lockshield – chrome finish (2)

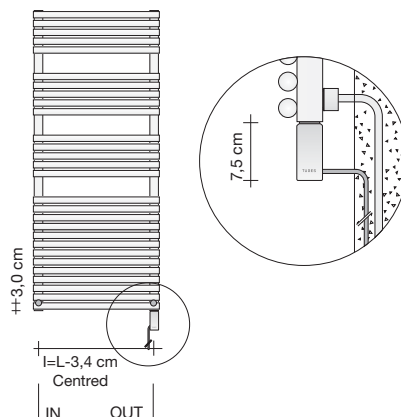
For other types of Valves see the table below or those on pages 217 - 218 - 219 - 220.



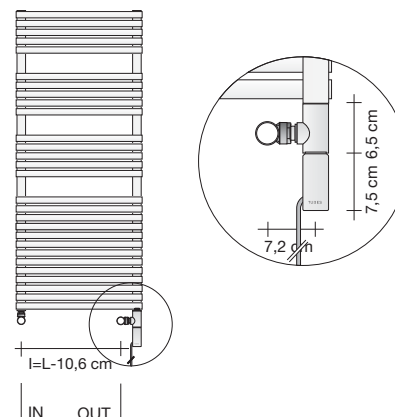
Electric Standard



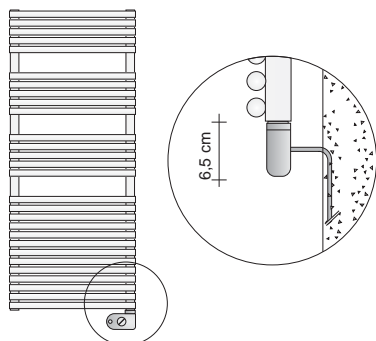
Mixed Standard with Rear Connectors



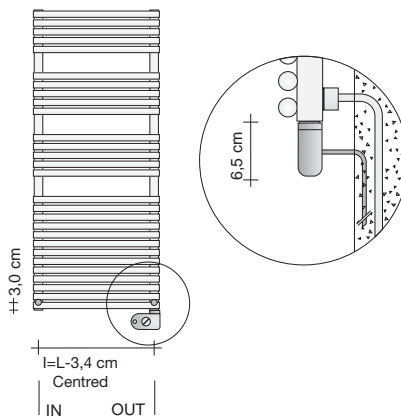
Mixed with Kit and external Connectors



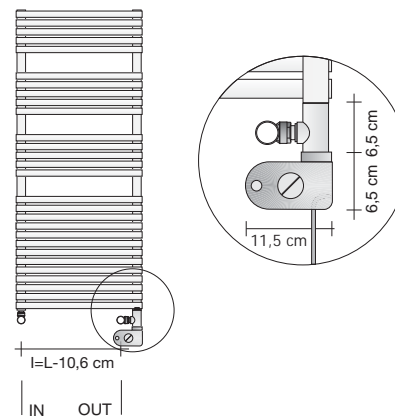
Electric with Room Thermostat



Mixed with Room thermostat and Rear Connectors



Mixed with Kit, Room thermostat and External Connectors



ADDITIONAL CHARGES FOR COLOURS AND FINISHES (see the official Tubes Colour Chart)

For RAL colours not included in the colour chart and according to samples request feasibility and estimate.

PLATED finishes: Nickel Satin finish (NIS code) NOT available, 14kt GOLD finish (cat. G5) and 24kt GOLD (cat. G6), request a cost estimate.

Standard VALVES (for Valves and Lockshields, valves that can be fitted with thermostat, Thermostatic valves, or Single pipe, Twin pipe, Stainless steel and thermostatic heads see pages 217 - 218 - 219 - 220)

	code	Description	Price
	Z1TLNR#ANR129010	Valve and Lockshield - ValCOLOR Copper Angle 1/2" RAL 9010 Glossy Pure White	€
	Z1RAC#R12CRO	2 copper unions diam. 12 mm for ValCOLOR Chrome finish Valve+Lockshield	€
	ZRCF#	Kit with pipe collars for towel warmers	€

	code	Description	Price
	GVR#	Valve and Lockshield assembly for recessed remote connection, CHROME finish	€
	GVRC#	Valve and Lockshield assembly for recessed remote connection, COLOUR finish	€

colour for Ba10 E/M Electric and Mixed

Price per radiator with White RAL 9010 finish and standard connectors - VAT and transport charges excluded



The electric version is made with a standard type resistor, the version with the new terminal will be available as of June 2014 with an additional price.

ELECTRIC VERSION

Code	H (cm)	L (cm)	Electric resistor Watts	Chrome plated G0 *(€)	Category C0 RAL 9010 (€)	Category C1/C2 (€)	Category C3 (€)
BA10E#080040	80,5	40,0	300				
BA10E#080050		50,0	300				
BA10E#080060		60,0	600				
BA10E#120040	119,5	40,0	600				
BA10E#120050		50,0	600				
BA10E#120060		60,0	900				
BA10E#150040	149,5	40,0	600				
BA10E#150050		50,0	900				
BA10E#150060		60,0	900				
BA10E#180040	181,0	40,0	900				
BA10E#180050		50,0	900				
BA10E#180060		60,0	1200				

* Additional charge for the new galvanic finishings Black Nichel and Tin Glossy +10% on the Chrome version. The same additional charge is valid for the valves too.

MIXED VERSION

Code	H (cm)	L (cm)	Inter-axis (cm)	Electric resistor Watts	Coloured version Watts ΔT 50°C	Chrome plated version Watts ΔT 50°C	Chrome plated G0 *(€)	Category C0 RAL 9010 (€)	Category C1/C2 (€)	Category C3 (€)
BA10M#080040	80,5	40,0	29,4	300	392	205				
BA10M#080050		50,0	39,4	300	506	267				
BA10M#080060		60,0	49,4	600	623	332				
BA10M#120040	119,5	40,0	29,4	600	588	312				
BA10M#120050		50,0	39,4	600	755	406				
BA10M#120060		60,0	49,4	900	925	504				
BA10M#150040	149,5	40,0	29,4	600	731	382				
BA10M#150050		50,0	39,4	900	902	476				
BA10M#150060		60,0	49,4	900	1076	573				
BA10M#180040	181,0	40,0	29,4	900	881	466				
BA10M#180050		50,0	39,4	900	1097	586				
BA10M#180060		60,0	49,4	1200	1318	712				

* Additional charge for the new galvanic finishings Black Nichel and Tin Glossy +10% on the Chrome version. The same additional charge is valid for the valves too.

WIRELESS THERMOSTATS

Code	Description	Price (€)
ZRF004	Kit with wall type room thermostat (Wireless) + Receiver	
ZRF005	Portable, digital wireless chronothermostat kit with weekly programming + Receiver	

CODES/ PRICES TABLE FOR ELECTRIC AND MIXED VERSION RESISTORS

Model	300 W			600 W			900 W			1200 W		
	Resistor code For Electric	Resistor code For Mixed	Price (€)	Resistor code For Electric	Resistor code For Mixed	Price (€)	Resistor code For Electric	Resistor code For Mixed	Price (€)	Resistor code For Electric	Resistor code For Mixed	Price (€)
Standard (STD) White cord	A2	KA2		B2	KB2		C2	KC2		D2	KD2	
Standard (STD) Grey cord	G2	KG2		H2	KH2		I2	KI2		L2	KL2	
Room thermostat - White	A5	KA5		B5	KB5		C5	KC5		D5	KD5	
Room thermostat - Grey	A7	KA7		B7	KB7		C7	KC7		D7	KD7	
Radiator Thermostat - White	N1	N.D.		N2	N.D.		N3	N.D.		N4	N.D.	
Radiator Thermostat - Chrome	N5	N.D.		N6	N.D.		N7	N.D.		N8	N.D.	
White edge cap	U1	KU1		U2	KU2		U3	KU3		U4	KU4	
Grey edge cap	V1	KV1		V2	KV2		V3	KV3		V4	KV4	
Chrome edge cap	Z1	KZ1		Z2	KZ2		Z3	KZ3		Z4	KZ4	

Wireless connections

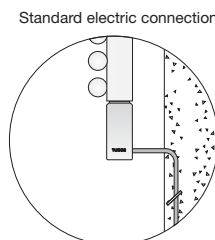
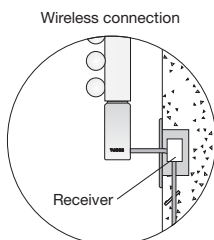
How to carry out connection to the Electric supply with the new terminal



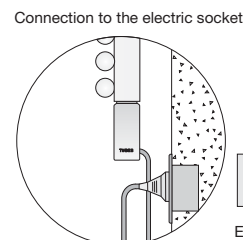
Wireless room thermostat ZRF004



Portable, digital wireless chronothermostat ZRF005



Remote switch (not supplied)



Electric plug not supplied