

ORDER EXAMPLE

To correctly order this model follow the example specified below:

PRODUCT

BA25#120050
OB1
ST
9010

BA25#120050 OB1 ST 9010

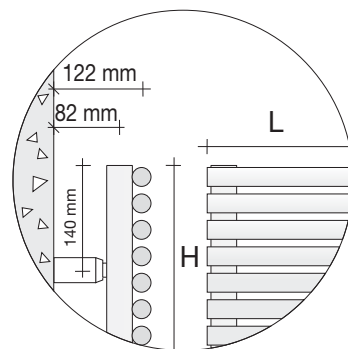
Article code found in the prices table on the side
 Connector code found in the table here below
 Standard Support code found in the table here below
 Colour code found in the TUBES COLOUR CHART

ACCESSORIES

Z1TLNR#AN R12 9010
Z1RAC#R12CRO

Valve and Lockshield - Copper angle 1/2" for copper pipes or multi-layer pipes - White RAL 9010
 12mm diam. copper pipe unions for Valve+Lockshield – chrome finish (2)

For other types of Valves see the table below or those on pages 217 - 218 - 219 - 220.



CONNECTORS

The towel warmers are supplied with "OB1" connectors.

If different connectors are required, strictly indicate this in the order. **IMPORTANT:** the connectors of towel warmers and radiators connected to the same system should all have the same configuration otherwise operating problems could occur.

Standard connectors

Will be supplied if not otherwise specified when placing the order

Rear connector

Supplied on request WITH an additional price charge of €

Custom-made connectors

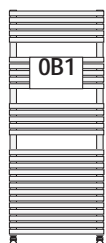
Supplied on request WITH an additional price charge of € (NOT available in chrome-plated version)

Connectors on request

Supplied on request WITHOUT an additional price charge

Custom-made connectors

Supplied on request WITH an additional price charge of € (NOT available in chrome-plated version)



Inter-axis
l=L-3,4 cm



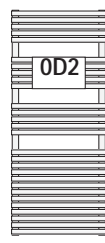
l=L-3,4 cm
 rear connector for connection to **GVR**



Inter-axis
l=L+13,8 cm



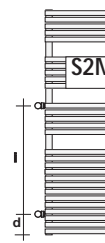
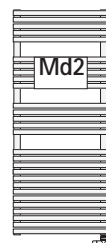
Inter-axis
l=H-7,0 cm



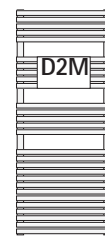
Inter-axis
l=H-7,0 cm



single pipe



Specify "i" and "d"
 i min.=5 cm d min.=2 cm



SUPPORTS

The towel warmers are supplied with standard supports (code ST) that include wall fixing shelves, pressure anchors and manual Vent Valve.

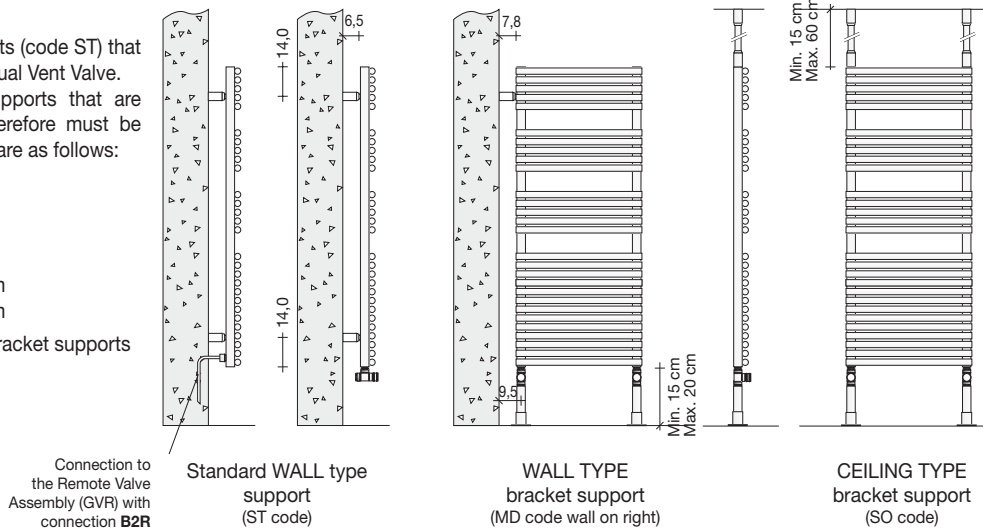
On request they can be ordered with bracket supports that are permanently welded on the towel warmers and therefore must be specified when placing the order, their code and cost are as follows:

- code MD WALL TYPE bracket support on the Right €
- code MS WALL TYPE bracket support on the Left €
- code SO CEILING TYPE bracket support €

LIMITS

- WALL TYPE bracket support Width max 60.0 cm
- CEILING TYPE bracket support Width max 80.0 cm

The Chrome plated version cannot be supplied with bracket supports



ADDITIONAL CHARGES FOR COLOURS AND FINISHES (see the official Tubes Colour Chart)

RAL colours not included in the colour chart + 30% more than Pure white price (cat. C0), for colours according to samples request feasibility and estimate.

PLATED finishes: Nickel Satin finish same price as Glossy CHROME (cat. G1), 14kt GOLD finish (cat. G5)+50% and 24kt GOLD (cat. G6)+60% more than Chrome (Cat.G0).

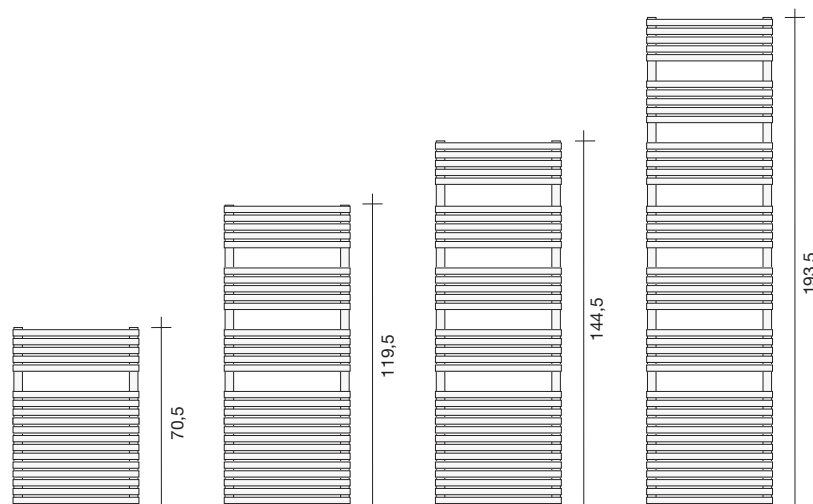
Standard VALVES (for Valves and Lockshields, valves that can be fitted with thermostat, Thermostatic valves, or Single pipe, Twin pipe, Stainless steel and thermostatic heads see pages 217 - 218 - 219 - 220)

code	Description	Price
Z1TLNR#ANR129010	Valve and Lockshield - ValCOLOR Copper Angle 1/2" RAL 9010 Glossy Pure White	€
Z1RAC#R12CRO	2 copper unions diam. 12 mm for ValCOLOR Chrome finish Valve+Lockshield	€
ZRCF#	Kit with pipe collars for towel warmers	€

code	Description	Price
GVR#	Valve and Lockshield assembly for recessed remote connection, CHROME finish	€
GVR#	Valve and Lockshield assembly for recessed remote connection, COLOUR finish	€

BATH 25

Price per radiator with White RAL 9010 finish and standard connectors - VAT and transport charges excluded



Code	H (cm)	L (cm)	Inter-axis (cm)	Water Content (l)	Coloured version		Category C0 RAL 9010 (€)	Category C1/C2 (€)	Category C3 (€)
					Watts ΔT 50°C	Watts ΔT 30°C			
BA25#070040	70,5	40,0	36,6	3,93	352	189			
BA25#070050		50,0	46,6	4,65	441	238			
BA25#070060		60,0	56,6	5,36	529	287			
BA25#070070		70,0	66,6	6,08	617	336			
BA25#070080		80,0	76,6	6,79	705	386			
BA25#070090		90,0	86,6	7,51	793	436			
BA25#070100		100,0	96,6	8,23	881	487			
BA25#120040	119,5	40,0	36,6	6,26	536	284			
BA25#120050		50,0	46,6	7,37	670	357			
BA25#120060		60,0	56,6	8,49	803	431			
BA25#120070		70,0	66,6	9,60	937	506			
BA25#120080		80,0	76,6	10,71	1071	583			
BA25#120090		90,0	86,6	11,83	1205	661			
BA25#120100		100,0	96,6	12,94	1339	739			
BA25#150040	144,5	40,0	36,6	7,43	614	328			
BA25#150050		50,0	46,6	8,74	768	412			
BA25#150060		60,0	56,6	10,05	922	497			
BA25#150070		70,0	66,6	11,36	1075	582			
BA25#150080		80,0	76,6	12,67	1229	666			
BA25#150090		90,0	86,6	13,98	1382	754			
BA25#150100		100,0	96,6	15,30	1536	842			
BA25#190040	193,5	40,0	36,6	9,76	792	423			
BA25#190050		50,0	46,6	11,65	990	530			
BA25#190060		60,0	56,6	13,17	1188	636			
BA25#190070		70,0	66,6	14,88	1386	743			
BA25#190080		80,0	76,6	16,59	1584	851			
BA25#190090		90,0	86,6	18,30	1782	958			
BA25#190100		100,0	96,6	20,01	1980	1066			

In the CHROME (plated) version the code BA25 becomes BA25G
 For correction factors different to ΔT 50°C see page 230

BATH 25 DOUBLE

Towel warmer composed of horizontal fusion welded elements in 25 mm diameter steel with 34 mm diam. manifolds

ORDER EXAMPLE

To correctly order this model follow the example specified below:

PRODUCT

BA25D#120050
OB1
ST
9010

BA25D#120050 OB1 ST 9010

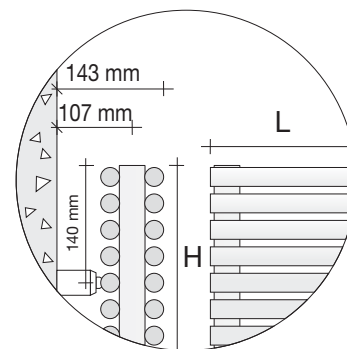
Article code found in the prices table on the side
Connector code found in the table here below
Standard Support code found in the table here below
Colour code found in the TUBES COLOUR CHART

ACCESSORIES

Z1TLNR#AN R12 9010
Z1RAC#R12CRO

Valve and Lockshield - Copper angle 1/2" for copper pipes or multi-layer pipes - White RAL 9010
12mm diam. copper pipe unions for Valve+Lockshield - chrome finish (2)

For other types of Valves see the table below or those on pages 217 - 218 - 219 - 220.



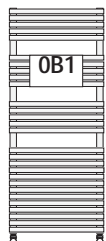
CONNECTORS

The towel warmers are supplied with "OB1" connectors.

If different connectors are required, strictly indicate this in the order. IMPORTANT: the connectors of towel warmers and radiators connected to the same system should all have the same configuration otherwise operating problems could occur.

Standard connectors

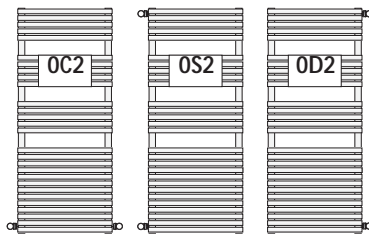
Will be supplied if not otherwise specified when placing the order



Inter-axis
l=L-3,4 cm

Custom-made connectors

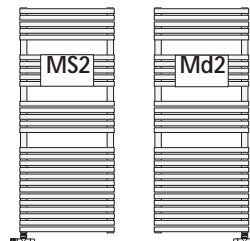
Supplied on request WITH an additional price charge of € (NOT available in chrome-plated version)



Inter-axis l=L+13,8 cm
Inter-axis l=H-7,0 cm
Inter-axis l=H-7,0 cm

Connectors on request

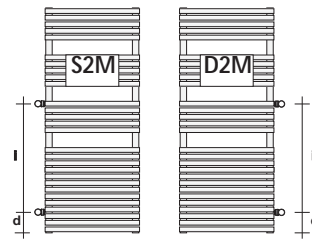
Supplied on request WITHOUT an additional price charge



single pipe

Custom-made connectors

Supplied on request WITH an additional price charge of € (NOT available in chrome-plated version)



Specify "i" and "d"
i min.=5 cm
d min.=2 cm

SUPPORTS

The towel warmers are supplied with standard supports (code ST) that include wall fixing shelves, pressure anchors and manual Vent Valve.

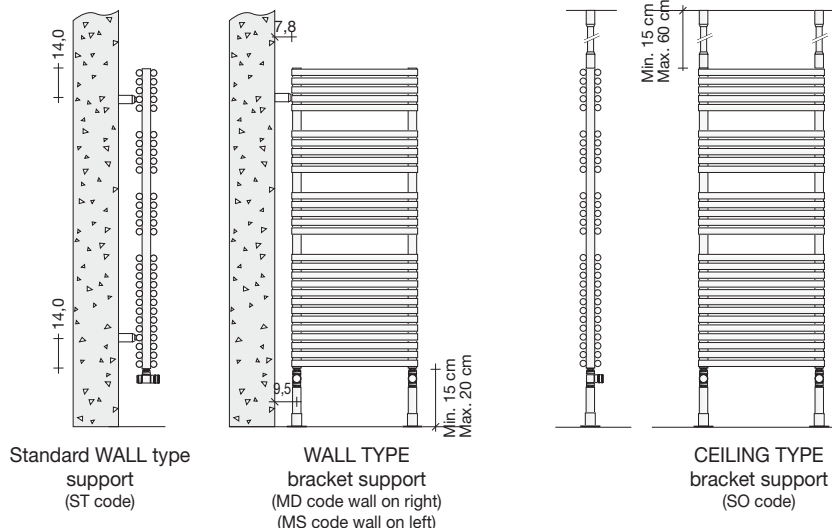
On request they can be ordered with bracket supports that are permanently welded on the towel warmers and therefore must be specified when placing the order, their code and cost are as follows:

- code MD WALL TYPE bracket support on the Right €
- code MS WALL TYPE bracket support on the Left €
- code SO CEILING TYPE bracket support €

LIMITS

- WALL TYPE bracket support Width max 40.0 cm
- CEILING TYPE bracket support Width max 60.0 cm

The Chrome plated version cannot be supplied with bracket supports



ADDITIONAL CHARGES FOR COLOURS AND FINISHES (see the official Tubes Colour Chart)

RAL colours not included in the colour chart + 30% more than Pure white price (cat. C0), for colours according to samples request feasibility and estimate.

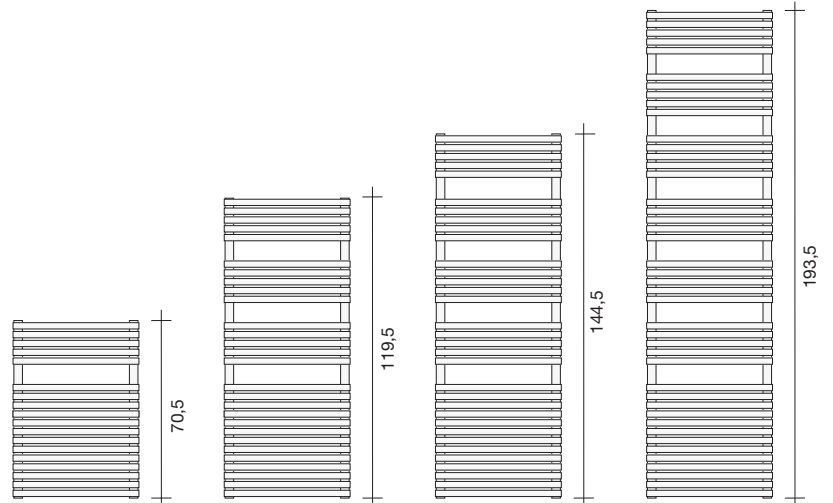
PLATED finishes: NOT available

Standard VALVES (for Valves and Lockshields, valves that can be fitted with thermostat, Thermostatic valves, or Single pipe, Twin pipe, Stainless steel and thermostatic heads see pages 217 - 218 - 219 - 220)

	code	Description	Price		code	Description	Price
	Z1TLNR#ANR129010	Valve and Lockshield - ValCOLOR Copper Angle 1/2" RAL 9010 Glossy Pure White	€		GVR#	Valve and Lockshield assembly for recessed remote connection, CHROME finish	€
	Z1RAC#R12CRO	2 copper unions diam. 12 mm for ValCOLOR Chrome finish Valve+Lockshield	€		GVRC#	Valve and Lockshield assembly for recessed remote connection, COLOUR finish	€
	ZRCF#	Kit with pipe collars for towel warmers	€				

BATH 25 DOUBLE

Price per radiator with White RAL 9010 finish and standard connectors - VAT and transport charges excluded



Code	H (cm)	L (cm)	Inter-axis (cm)	Water Content (l)	Coloured version		Category C0 RAL 9010 (€)	Category C1/C2 (€)	Category C3 (€)
					Watts ΔT 50°C	Watts ΔT 30°C			
BA25D#070040	70,5	40,0	36,6	7,87	552	286			
BA25D#070050		50,0	46,6	9,30	690	357			
BA25D#070060		60,0	56,6	10,73	828	429			
BA25D#070070		70,0	66,6	12,16	966	500			
BA25D#070080		80,0	76,6	13,59	1104	572			
BA25D#070090		90,0	86,6	15,02	1242	643			
BA25D#070100		100,0	96,6	16,45	1380	715			
BA25D#120040	119,5	40,0	36,6	12,52	832	431			
BA25D#120050		50,0	46,6	14,75	1039	538			
BA25D#120060		60,0	56,6	16,97	1247	646			
BA25D#120070		70,0	66,6	19,20	1455	754			
BA25D#120080		80,0	76,6	21,42	1662	861			
BA25D#120090		90,0	86,6	23,65	1870	969			
BA25D#120100		100,0	96,6	25,88	2078	1076			
BA25D#150040	144,5	40,0	36,6	14,85	962	498			
BA25D#150050		50,0	46,6	17,47	1203	623			
BA25D#150060		60,0	56,6	20,10	1443	747			
BA25D#150070		70,0	66,6	22,72	1684	872			
BA25D#150080		80,0	76,6	25,34	1925	997			
BA25D#150090		90,0	86,6	27,97	2165	1121			
BA25D#150100		100,0	96,6	30,59	2405	1246			
BA25D#190040	193,5	40,0	36,6	19,51	1205	624			
BA25D#190050		50,0	46,6	23,29	1507	781			
BA25D#190060		60,0	56,6	26,35	1809	937			
BA25D#190070		70,0	66,6	29,76	2110	1093			
BA25D#190080		80,0	76,6	33,18	2411	1249			
BA25D#190090		90,0	86,6	36,60	2713	1405			
BA25D#190100		100,0	96,6	40,02	3014	1561			

For correction factors different to ΔT 50°C see page 230

BATH 25 i5

Towel warmer composed of horizontal fusion welded elements in 25 mm diameter steel with 34 mm diam. manifolds

HW

ORDER EXAMPLE

To correctly order this model follow the example specified below:

PRODUCT

BA25 i5#120050
0i5
ST
9010

BA25i5#120050 0i5 ST 9010

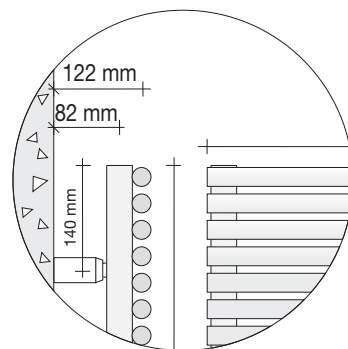
Article code found in the prices table here below
Connection code for 5 cm interaxis
Standard Support code found in the table here below
Colour code found in the TUBES COLOUR CHART

ACCESSORIES

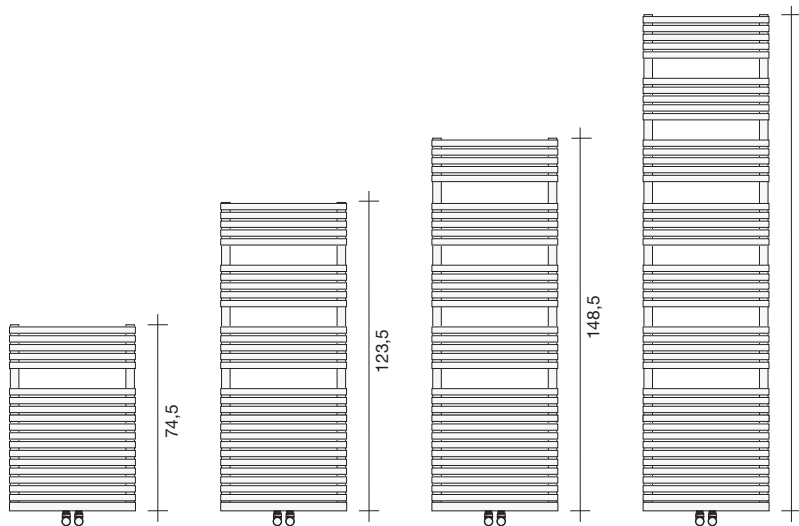
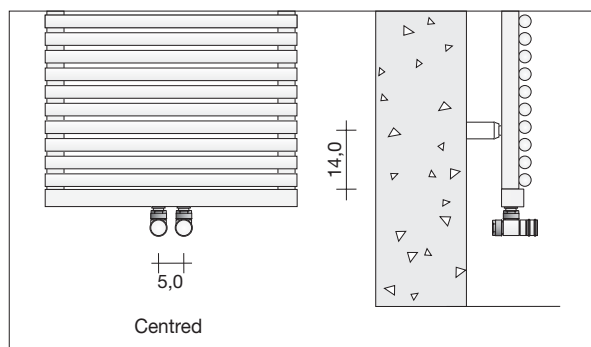
Z1TLNR#AN R12 9010
Z1RAC#R12CRO

Valve and Lockshield - Copper angle 1/2" for copper pipes or multi-layer pipes - White RAL 9010
12mm diam. copper pipe unions for Valve+Lockshield - chrome finish (2)

For other types of Valves see the table below or those on pages 217 - 218 - 219 - 220.



Technical diagram for BA25 i5 connection



Code	H (cm)	L (cm)	Inter-axis (cm)	Water Content (l)	Coloured version		Category C0 RAL 9010 (€)	Category C1/C2 (€)	Category C3 (€)
					Watts ΔT 50°C	Watts ΔT 30°C			
BA25i5#070040	74,5	40,0	5	3,93	352	189			
BA25i5#070050		50,0	5	4,65	441	238			
BA25i5#070060		60,0	5	5,36	529	287			
BA25i5#120040	123,5	40,0	5	6,26	536	284			
BA25i5#120050		50,0	5	7,37	670	357			
BA25i5#120060		60,0	5	8,49	803	431			
BA25i5#150040	148,5	40,0	5	7,43	614	328			
BA25i5#150050		50,0	5	8,74	768	412			
BA25i5#150060		60,0	5	10,05	922	497			
BA25i5#190040	197,5	40,0	5	9,76	792	423			
BA25i5#190050		50,0	5	11,65	990	530			
BA25i5#190060		60,0	5	13,17	1188	636			

For correction factors different to ΔT 50°C see page 230

ADDITIONAL CHARGES FOR COLOURS AND FINISHES (see the official Tubes Colour Chart)

RAL colours not included in the colour chart + 30% more than Pure white price (cat. C0), for colours according to samples request feasibility and estimate.

PLATED finishes: See model BATH 25 G Chrome-plated at page 210

Standard VALVES (for Valves and Lockshields, valves that can be fitted with thermostat, Thermostatic valves, or Single pipe, Twin pipe, Stainless steel and thermostatic heads see pages 217 - 218 - 219 - 220)

	code	Description	Price		code	Description	Price 9010	Price Cromo
	Z1TLNR#ANR129010	Valve and Lockshield - ValCOLOR Copper Angle 1/2" RAL 9010 Glossy Pure White	€			Z1TL5NR#ANR12SX... Valves with 5 cm interaxis 5 cm - Left	€	€
	Z1RAC#R12CRO	2 copper unions diam. 12 mm for ValCOLOR Chrome finish Valve+Lockshield	€			Z1TL5NR#ANR12DX... Valves with 5 cm interaxis 5 cm - Right	€	€
	ZRCF#	Kit with pipe collars for towel warmers	€					

BATH 25 i5 DOUBLE

Towel warmer composed of horizontal fusion welded elements in 25 mm diameter steel with 34 mm diam. manifolds

HW

ORDER EXAMPLE

To correctly order this model follow the example specified below:

PRODUCT

BA25D i5#120050
0i5
ST
9010

BA25Di5#120050 0i5 ST 9010

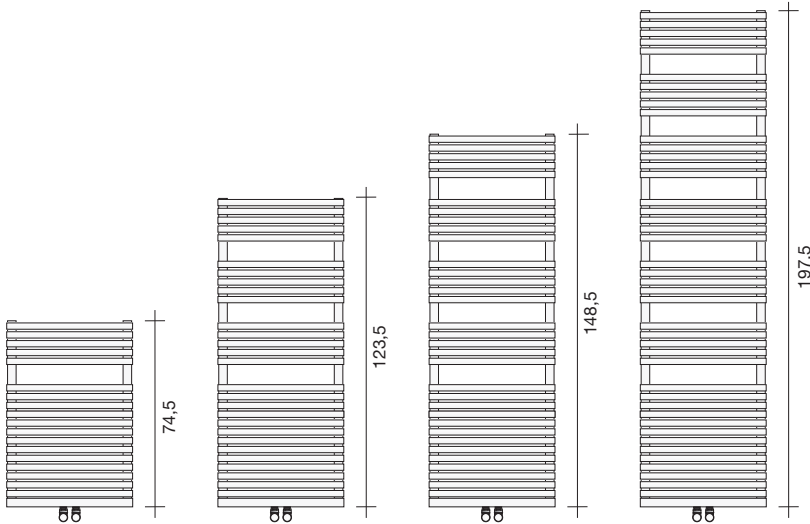
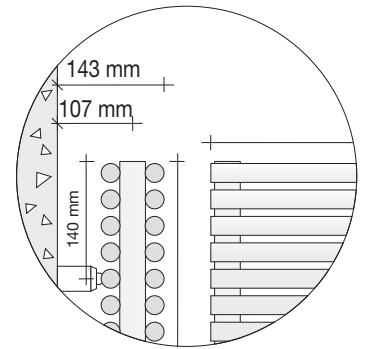
Article code found in the prices table here below
 Connection code for 5 cm interaxis
 Standard Support code found in the table here below
 Colour code found in the TUBES COLOUR CHART

ACCESSORIES

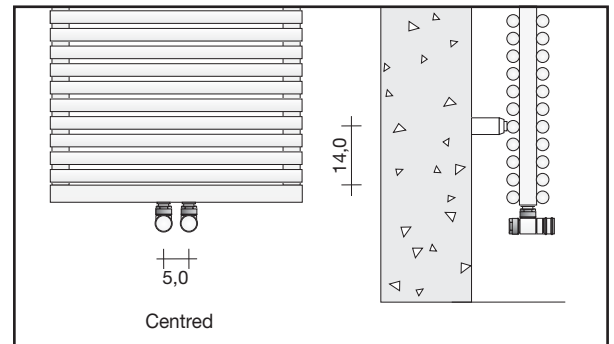
Z1TLNR#AN R12 9010
Z1RAC#R12CRO

Valve and Lockshield - Copper angle 1/2" for copper pipes or multi-layer pipes - White RAL 9010
 12mm diam. copper pipe unions for Valve+Lockshield – chrome finish (2)

For other types of Valves see the table below or those on pages 217 - 218 - 219 - 220.



Technical diagram for BA25D i5 connection



Code	H (cm)	L (cm)	Inter-axis (cm)	Water Content (l)	Coloured version		Category C0 RAL 9010 (€)	Category C1/C2 (€)	Category C3 (€)
					Watts ΔT 50°C	Watts ΔT 30°C			
BA25DI5#070040	74,5	40,0	5	7,87	552	286			
BA25DI5#070050		50,0	5	9,30	690	357			
BA25DI5#070060		60,0	5	10,73	828	429			
BA25DI5#120040	123,5	40,0	5	12,52	832	431			
BA25DI5#120050		50,0	5	14,75	1039	538			
BA25DI5#120060		60,0	5	16,97	1247	646			
BA25DI5#150040	148,5	40,0	5	14,85	962	498			
BA25DI5#150050		50,0	5	17,47	1203	623			
BA25DI5#150060		60,0	5	20,10	1443	747			
BA25DI5#190040	197,5	40,0	5	19,51	1205	624			
BA25DI5#190050		50,0	5	23,29	1507	781			
BA25DI5#190060		60,0	5	26,35	1809	937			




For correction factors different to ΔT 50°C see page 230

ADDITIONAL CHARGES FOR COLOURS AND FINISHES (see the official Tubes Colour Chart)

RAL colours not included in the colour chart + 30% more than Pure white price (cat. C0), for colours according to samples request feasibility and estimate.

PLATED finishes: See model BATH 25 G Chrome-plated at page 210

Standard VALVES (for Valves and Lockshields, valves that can be fitted with thermostat, Thermostatic valves, or Single pipe, Twin pipe, Stainless steel and thermostatic heads see pages 217 - 218 - 219 - 220)

	code	Description	Price
	Z1TLNR#ANR129010	Valve and Lockshield - ValCOLOR Copper Angle 1/2" RAL 9010 Glossy Pure White	€
	Z1RAC#R12CRO	2 copper unions diam. 12 mm for ValCOLOR Chrome finish Valve+Lockshield	€
	ZRCF#	Kit with pipe collars for towel warmers	€

BATH 25 Electric and Mixed

Towel warmer composed of horizontal fusion welded elements in 25 mm diameter steel with 34 mm diam. manifolds



ORDER EXAMPLE

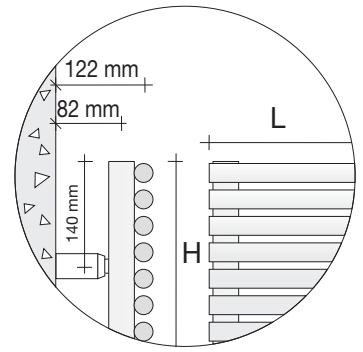
To correctly order this model follow the example specified below:

PRODUCT **BA25E#080050 A2 ST 9010**
 BA25E#080050 Article code found in the prices table on the side
 A2 (KA2 x mixed) Resistor code found in the table on the side
 ST Standard Support code, only one support code available for Electric and Mixed version
 9010 Colour code found in the TUBES COLOUR CHART

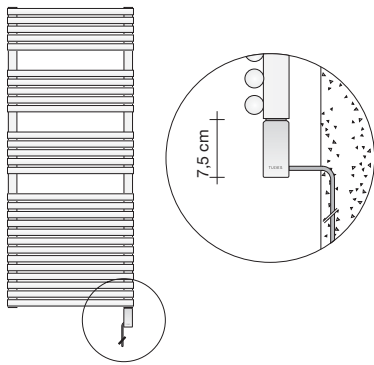
ACCESSORIES ELECTRIC/MIXED version (only for standard STD resistors)
 ZRF004 Kit with wireless room thermostat
 Or ZRF005 Portable, programmable digital wireless chronothermostat kit

ACCESSORIES for MIXED version
 Z1TLNR#AN R12 9010 Valve and Lockshield - Copper angle 1/2" for copper pipes or multi-layer pipes - White RAL 9010
 Z1RAC#R12CRO 12mm diam. copper pipe unions for Valve+Lockshield – chrome finish (2)

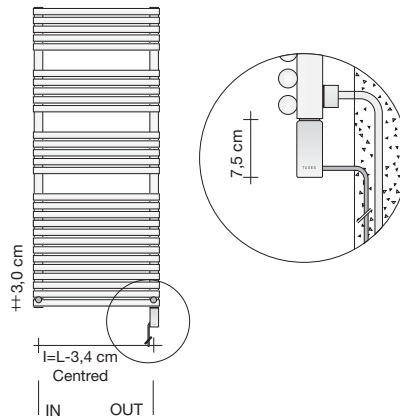
For other types of Valves see the table below or those on pages 217 - 218 - 219 - 220.



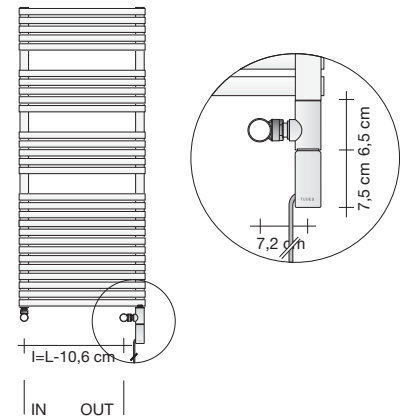
Electric Standard



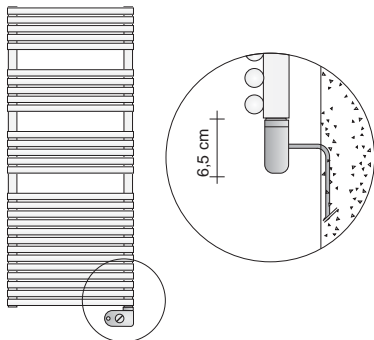
Mixed Standard with Rear Connectors



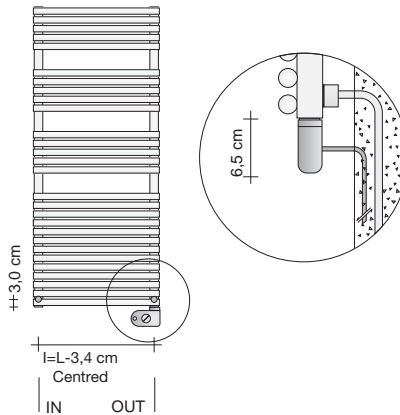
Mixed with Kit and external Connectors



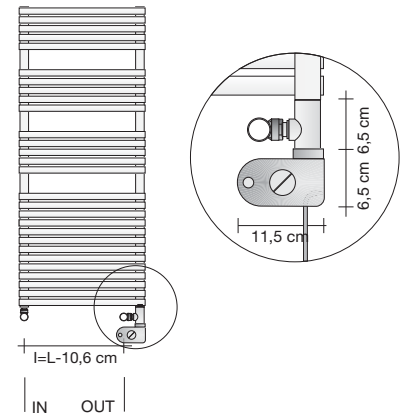
Electric with Room Thermostat



Mixed with Room thermostat and Rear Connectors



Mixed with Kit, Room thermostat and External Connectors



ADDITIONAL CHARGES FOR COLOURS AND FINISHES (see the official Tubes Colour Chart)

For RAL colours not included in the colour chart and according to samples request feasibility and estimate.

PLATED finishes: Nickel Satin finish same price as Glossy CHROME (cat. G1), 14kt GOLD finish (cat. G5) and 24kt gold (cat. G6), request a cost estimate

Standard VALVES (for Valves and Lockshields, valves that can be fitted with thermostat, Thermostatic valves, or Single pipe, Twin pipe, Stainless steel and thermostatic heads see pages 217 - 218 - 219 - 220)

	code	Description	Price
	Z1TLNR#ANR129010	Valve and Lockshield - ValCOLOR Copper Angle 1/2" RAL 9010 Glossy Pure White	€
	Z1RAC#R12CRO	2 copper unions diam. 12 mm for ValCOLOR Chrome finish Valve+Lockshield	€
	ZRCF#	Kit with pipe collars for towel warmers	€

	code	Description	Price
	GVR#	Valve and Lockshield assembly for recessed remote connection, CHROME finish	€
	GVRC#	Valve and Lockshield assembly for recessed remote connection, COLOUR finish	€

BATH 25 Electric and Mixed

Towel warmer composed of horizontal fusion welded elements in 25 mm diameter steel with 34 mm diam. manifolds



The electric version is made with a standard type resistor, the version with the new terminal will be available as of June 2014 with an additional price.

ELECTRIC VERSION

Code	H (cm)	L (cm)	Electric resistor Watts	Category C0 RAL 9010 (€)	Category C1/C2 (€)	Category C3 (€)
BA25E#070040	70,5	40,0	300 W			
BA25E#070050		50,0	300 W			
BA25E#070060		60,0	600 W			
BA25E#120040	119,5	40,0	600 W			
BA25E#120050		50,0	600 W			
BA25E#120060		60,0	900 W			
BA25E#150040	144,5	40,0	600 W			
BA25E#150050		50,0	900 W			
BA25E#150060		60,0	900 W			
BA25E#190040	193,5	40,0	900 W			
BA25E#190050		50,0	900 W			
BA25E#190060		60,0	1200 W			

MIXED VERSION

Code	H (cm)	L (cm)	Inter-axis (cm)	Electric resistor Watts	Coloured version		Category C0 RAL 9010 (€)	Category C1/C2 (€)	Category C3 (€)
					Watts ΔT 50°C	Watts ΔT 30°C			
BA25M#070040	70,5	40,0	29,4	300 W	352	189			
BA25M#070050		50,0	39,4	300 W	441	238			
BA25M#070060		60,0	49,4	600 W	529	287			
BA25M#120040	119,5	40,0	29,4	600 W	536	284			
BA25M#120050		50,0	39,4	600 W	670	357			
BA25M#120060		60,0	49,4	900 W	803	431			
BA25M#150040	144,5	40,0	29,4	600 W	614	328			
BA25M#150050		50,0	39,4	900 W	768	412			
BA25M#150060		60,0	49,4	900 W	922	497			
BA25M#190040	193,5	40,0	29,4	900 W	792	423			
BA25M#190050		50,0	39,4	900 W	990	530			
BA25M#190060		60,0	49,4	1200 W	1188	636			

WIRELESS THERMOSTATS

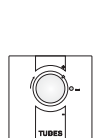
Code	Description	Price (€)
ZRF004	Kit with wall type room thermostat (Wireless) + Receiver	
ZRF005	Portable, digital wireless chronothermostat kit with weekly programming + Receiver	

CODES/ PRICES TABLE FOR ELECTRIC AND MIXED VERSION RESISTORS

Model	300 W			600 W			900 W			1200 W		
	Resistor code For Electric	Resistor code For Mixed	Price (€)	Resistor code For Electric	Resistor code For Mixed	Price (€)	Resistor code For Electric	Resistor code For Mixed	Price (€)	Resistor code For Electric	Resistor code For Mixed	Price (€)
Standard (STD) White cord	A2	KA2		B2	KB2		C2	KC2		D2	KD2	
Standard (STD) Grey cord	G2	KG2		H2	KH2		I2	KI2		L2	KL2	
Room thermostat - White	A5	KA5		B5	KB5		C5	KC5		D5	KD5	
Room thermostat - Grey	A7	KA7		B7	KB7		C7	KC7		D7	KD7	
Radiator Thermostat - White	N1	N.D.		N2	N.D.		N3	N.D.		N4	N.D.	
Radiator Thermostat - Chrome	N5	N.D.		N6	N.D.		N7	N.D.		N8	N.D.	
White edge cap	U1	KU1		U2	KU2		U3	KU3		U4	KU4	
Grey edge cap	V1	KV1		V2	KV2		V3	KV3		V4	KV4	
Chrome edge cap	Z1	KZ1		Z2	KZ2		Z3	KZ3		Z4	KZ4	

Wireless connections

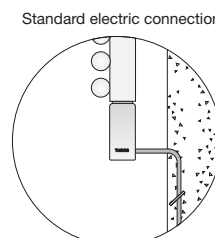
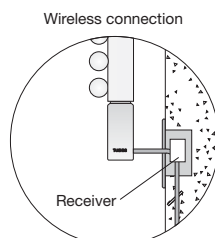
How to carry out connection to the Electric supply with the new terminal



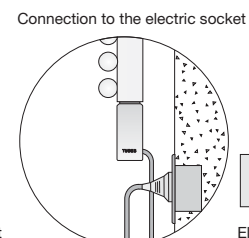
Wireless room thermostat
ZRF004



Portable, digital wireless chronothermostat
ZRF005



Remote switch (not supplied)



Electric plug not supplied

BATH 25G CHROME-PLATED

Towel warmer composed of horizontal fusion welded elements in 25 mm diameter steel with 34 mm diam. manifolds

ORDER EXAMPLE

To correctly order this model follow the example specified below:

PRODUCT

BA25G#120050
OB1
ST
CRO

BA25G#120050 OB1 ST 9010

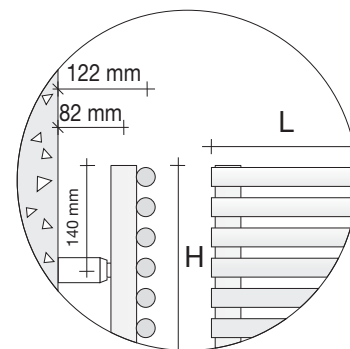
Article code found in the prices table on the side
Connector code found in the table here below
Standard Support code found in the table here below
Finish code found in the Tubes Colour Chart

ACCESSORIES

Z1TLNR#AN R12 9010
Z1RAC#R12CRO

Valve and Lockshield - Copper angle 1/2" for copper pipes or multi-layer pipes - White RAL 9010
12mm diam. copper pipe unions for Valve+Lockshield - chrome finish (2)

For other types of Valves see the table below or those on pages 217 - 218 - 219 - 220.



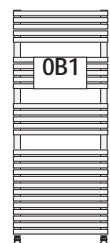
CONNECTORS

The towel warmers are supplied with "OB1" connectors.

If different connectors are required, strictly indicate this in the order. È. IMPORTANT: the connectors of the radiators ordered and the radiators connected to the same system should all have the same configuration otherwise operating problems could occur.

Standard connectors

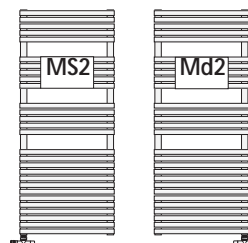
Will be supplied if not otherwise specified when placing the order



Inter-axis
l=L-3,4 cm

Connectors on request

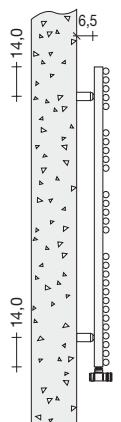
Supplied on request WITHOUT an additional price charge



single pipe

SUPPORTS

The towel warmers are supplied with standard supports (code ST) that include wall fixing shelves, pressure anchors and manual Vent Valve.






Standard WALL type support (ST code)

ADDITIONAL CHARGES FOR COLOURS AND FINISHES (see the official Tubes Colour Chart)

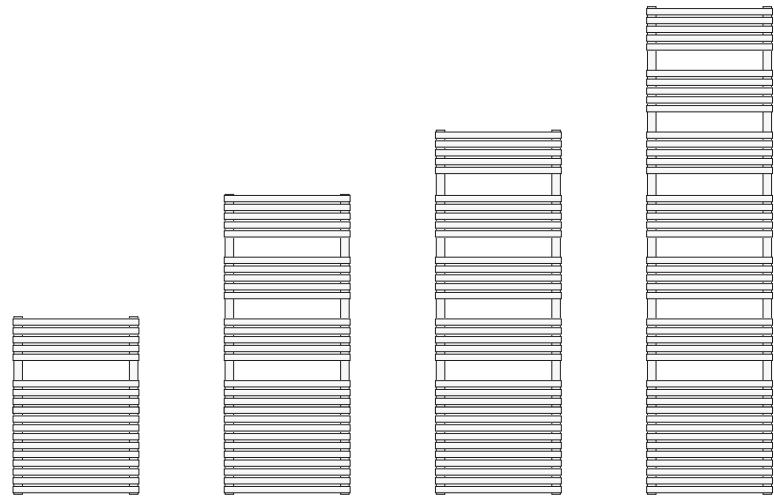
PLATED finishes: Nickel Satin finish same price as Glossy CHROME (cat. G1), 14kt GOLD finish (cat. G5)+50% and 24kt GOLD (cat. G6)+60% more than Chrome (Cat.G0).

Standard VALVES (for Valves and Lockshields, valves that can be fitted with thermostat, Thermostatic valves, or Single pipe, Twin pipe, Stainless steel and thermostatic heads see pages 217 - 218 - 219 - 220)

	code	Description	Price
	Z1TLNRG#ANR12CRO	Valve and Lockshield - ValCOLOR Copper Angle 1/2" Glossy CHROME	€
	Z1RAC#R12CRO	2 copper unions diam. 12 mm for ValCOLOR Chrome finish Valve+Lockshield	€
	ZRCFG#	Kit with pipe collars for towel warmers	€

BATH 25G CHROME-PLATED

Price per radiator with Chrome finish and standard connectors - VAT and transport excluded



Code	H (cm)	L (cm)	Inter-axis (cm)	Water Content (l)	Chrome plated version		Chrome plated G0 * (€)	Category G1 Satin-finish Nickel (€)	Category G5 14kt gold (€)	Category G6 24kt gold (€)
					Watts ΔT 50°C	Watts ΔT 30°C				
BA25G#070040	75,8	40,0	36,6	3,62	239	127				
BA25G#070050		50,0	46,6	4,52	299	158				
BA25G#070060		60,0	56,6	5,43	359	189				
BA25G#120040	120,3	40,0	36,6	5,27	355	180				
BA25G#120050		50,0	46,6	6,58	444	227				
BA25G#120060		60,0	56,6	7,90	533	274				
BA25G#150040	148,2	40,0	36,6	6,72	440	237				
BA25G#150050		50,0	46,6	8,40	550	299				
BA25G#150060		60,0	56,6	10,00	660	362				
BA25G#190040	188,0	40,0	36,6	8,15	551	298				
BA25G#190050		50,0	46,6	10,19	689	373				
BA25G#190060		60,0	56,6	12,23	827	449				

For correction factors different to ΔT 50°C see page 230

Towel warmers available in stock with 0B1 connector

* Additional charge for the new galvanic finishings Black Nickel and Tin Glossy +10% on the Chrome version. The same additional charge is valid for the valves too.

BATH 25G Electric and Mixed - Chrome-plated

Towel warmer composed of horizontal fusion welded elements in 25 mm diameter steel with 34 mm diam. manifolds



ORDER EXAMPLE

To correctly order this model follow the example specified below:

PRODUCT

BA25EG#080050 Article code found in the prices table on the side
A2 (KA2 x mixed) Resistor code found in the table on the side
ST Standard Support code, only one support code available for Electric and Mixed version
CRO Colour code found in the TUBES COLOUR CHART

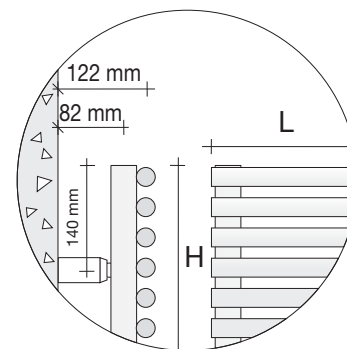
ACCESSORIES ELECTRIC/MIXED version (only for standard STD resistors)

ZRF004 Kit with wireless room thermostat
 Or **ZRF005** Portable, programmable digital wireless chronothermostat kit

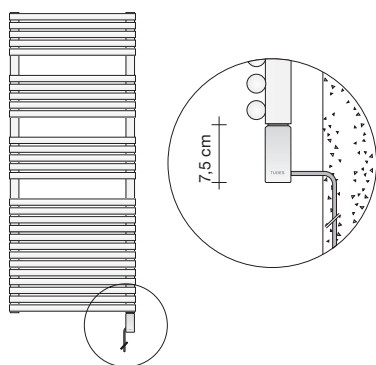
ACCESSORIES for MIXED version

Z1TLNR#AN R12 9010 Valve and Lockshield - Copper angle 1/2" for copper pipes or multi-layer pipes - White RAL 9010
Z1RAC#R12CRO 12mm diam. copper pipe unions for Valve+Lockshield – chrome finish (2)

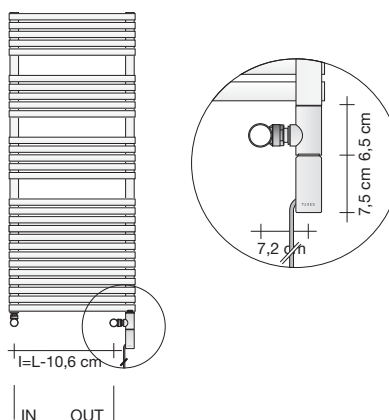
For other types of Valves see the table below or those on pages 217 - 218 - 219 - 220.



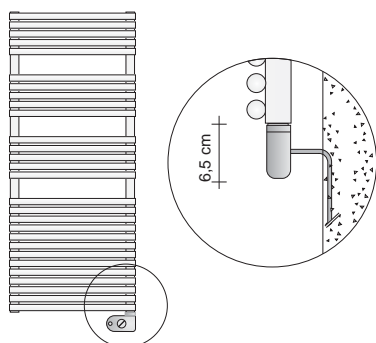
Electric Standard



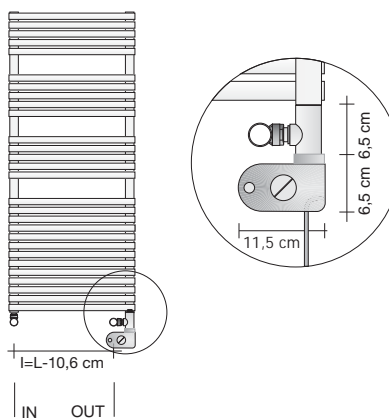
Mixed with Kit and external Connectors



Electric with Room Thermostat






Mixed with Kit, Room thermostat and External Connectors



ADDITIONAL CHARGES FOR COLOURS AND FINISHES (see the official Tubes Colour Chart)

PLATED finishes: Nickel Satin finish same price as Glossy CHROME (cat. G1), 14kt GOLD finish (cat. G5) and 24kt gold (cat. G6), request a cost estimate

Standard VALVES (for Valves and Lockshields, valves that can be fitted with thermostat, Thermostatic valves, or Single pipe, Twin pipe, Stainless steel and thermostatic heads see pages 217 - 218 - 219 - 220)

	code	Description	Price
	Z1TLNRG#ANR12CRO	Valve and Lockshield - ValCOLOR Copper Angle 1/2" Glossy CHROME	€
	Z1RAC#R12CRO	2 copper unions diam. 12 mm for ValCOLOR Chrome finish Valve+Lockshield	€
	ZRCFG#	Kit with pipe collars for towel warmers	€

The electric version is made with a standard type resistor, the version with the new terminal will be available as of June 2014 with an additional price.

ELECTRIC VERSION

Code	H (cm)	L (cm)	Electric resistor Watts	Chrome plated G0 * (€)	Category G1 Satin-finish Nickel (€)	Category G5 14kt gold (€)	Category G6 24kt gold (€)
BA25EG#070040	75,8	40,0	300 W				
BA25EG#070050		50,0	300 W				
BA25EG#070060		60,0	300 W				
BA25EG#120040	120,3	40,0	600 W				
BA25EG#120050		50,0	600 W				
BA25EG#120060		60,0	600 W				
BA25EG#150040	148,2	40,0	600 W				
BA25EG#150050		50,0	900 W				
BA25EG#150060		60,0	900 W				
BA25EG#190040	188,0	40,0	900 W				
BA25EG#190050		50,0	1200 W				
BA25EG#190060		60,0	1200 W				

* Additional charge for the new galvanic finishings Black Nickel and Tin Glossy +10% on the Chrome version. The same additional charge is valid for the valves too.

MIXED VERSION

Code	H (cm)	L (cm)	Inter-axis (cm)	Electric resistor Watts	Coloured version		Chrome plated G0 * (€)	Category G1 Satin-finish Nickel (€)	Category G5 14kt gold (€)	Category G6 24kt gold (€)
					Watts ΔT 50°C	Watts ΔT 30°C				
BA25MG#070040	75,8	40,0	29,4	300 W	239	127				
BA25MG#070050		50,0	39,4	300 W	299	158				
BA25MG#070060		60,0	49,4	300 W	359	189				
BA25MG#120040	120,3	40,0	29,4	600 W	355	180				
BA25MG#120050		50,0	39,4	600 W	444	227				
BA25MG#120060		60,0	49,4	600 W	533	274				
BA25MG#150040	148,2	40,0	29,4	600 W	440	237				
BA25MG#150050		50,0	39,4	900 W	550	299				
BA25MG#150060		60,0	49,4	900 W	660	362				
BA25MG#190040	188,0	40,0	29,4	900 W	551	298				
BA25MG#190050		50,0	39,4	1200 W	689	373				
BA25MG#190060		60,0	49,4	1200 W	827	449				

* Additional charge for the new galvanic finishings Black Nickel and Tin Glossy +10% on the Chrome version. The same additional charge is valid for the valves too.

WIRELESS THERMOSTATS

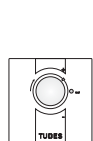
Code	Description	Price (€)
ZRF004	Kit with wall type room thermostat (Wireless) + Receiver	
ZRF005	Portable, digital wireless chronothermostat kit with weekly programming + Receiver	

CODES/ PRICES TABLE FOR ELECTRIC AND MIXED VERSION RESISTORS

Model	300 W			600 W			900 W			1200 W		
	Resistor code For Electric	Resistor code For Mixed	Price (€)	Resistor code For Electric	Resistor code For Mixed	Price (€)	Resistor code For Electric	Resistor code For Mixed	Price (€)	Resistor code For Electric	Resistor code For Mixed	Price (€)
Standard (STD) White cord	A2	KA2		B2	KB2		C2	KC2		D2	KD2	
Standard (STD) Grey cord	G2	KG2		H2	KH2		I2	KI2		L2	KL2	
Room thermostat - White	A5	KA5		B5	KB5		C5	KC5		D5	KD5	
Room thermostat - Grey	A7	KA7		B7	KB7		C7	KC7		D7	KD7	
Radiator Thermostat - White	N1	N.D.		N2	N.D.		N3	N.D.		N4	N.D.	
Radiator Thermostat - Chrome	N5	N.D.		N6	N.D.		N7	N.D.		N8	N.D.	
White edge cap	U1	KU1		U2	KU2		U3	KU3		U4	KU4	
Grey edge cap	V1	KV1		V2	KV2		V3	KV3		V4	KV4	
Chrome edge cap	Z1	KZ1		Z2	KZ2		Z3	KZ3		Z4	KZ4	

Wireless connections

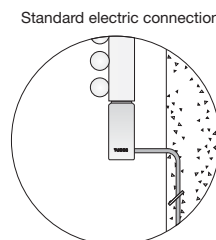
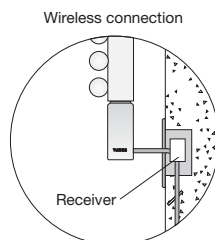
How to carry out connection to the Electric supply with the new terminal



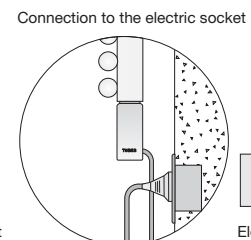
Wireless room thermostat
ZRF004



Portable, digital wireless chronothermostat
ZRF005



Remote switch (not supplied)



Electric plug not supplied